



**ELECTRONIC REMOTE PATRON
FEE DISPLAY
Model RD-1020**

Current parking control applications demand rugged, well built system components designed for years of reliable, trouble free operation. This is true regardless of climate, or number of duty cycles per day. Your parking applications need and deserve products that are engineered for a high degree of reliability, and they require the flexibility to fit perfectly in a wide variety of system applications.



Model RD-1020 Patron Fee Display

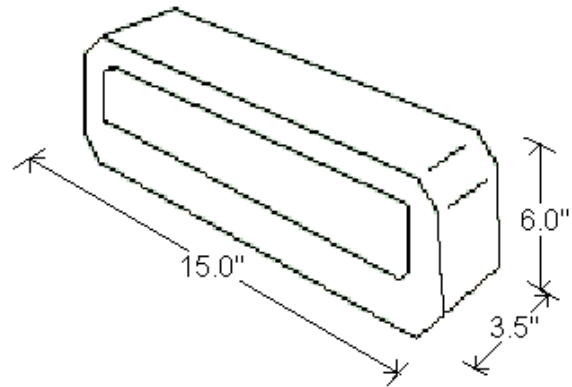
The **SysParc** Remote Patron Fee Display is designed and engineered for all this and much more! It runs flawlessly in virtually every type of system application, and offers years of trouble-free operation, helping you to keep your business profitable and running smooth.

The **SysParc** Remote Patron Fee Display is designed to operate in conjunction with the entire line of **SysParc** Fee Computers, as well as many of those of other manufacturers who use the same communications protocol.

SysParc Remote Patron Fee Display has been engineered to provide a visual indication of the *Fee* due from the parking patron, and then the change (*CHG*) the patron is due from the amount tendered to the cashier. The Fee Display also has the capability to activate the exit lane lift-arm barrier gate through a Form C relay contact within the display's weatherproof housing.

SysParc, Inc.
8841 Wilbur Avenue
Northridge, CA 91324

The **SysParc** Fee Display utilizes very bright solid-state light emitting diodes (LED's) that provide easily readable characters even in direct sunlight! The power for the unit comes from an external Class 2 transformer (supplied with each unit).



The Model RD-1020 Fee Display is extremely rugged and reliable, and requires almost no maintenance, and offers years of trouble free service.

- I. Purpose:
The **SysParc** Model RD-1020 Fee Display is an integral revenue control device that provides a visual indication of the *Fee* due from the parking patron, and then the change (*CHG*) the patron is due from the amount tendered to the cashier.
- II. Features & Functions:
 - A. The **SysParc** Model RD-1020 Fee Display has the capability to activate the exit lane lift-arm barrier gate through a Form C relay contact within the remote fee display's weatherproof housing.



Phone: 818 - 775 - 1832
Fax: 818 - 775 - 1834
Website: www.sysparc.com